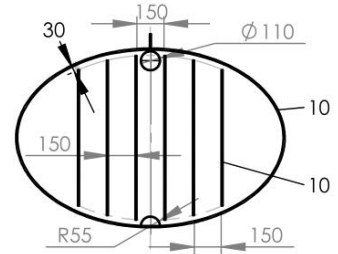
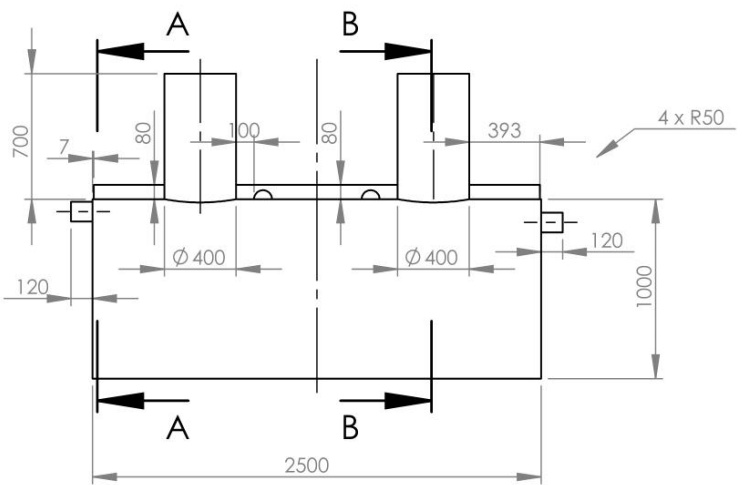


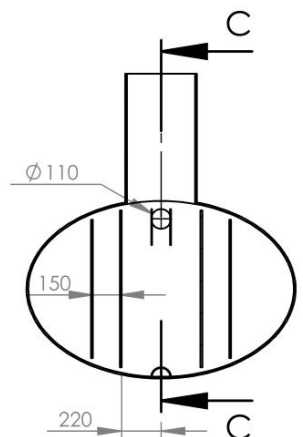
6 5 4 3 2 1

D

D



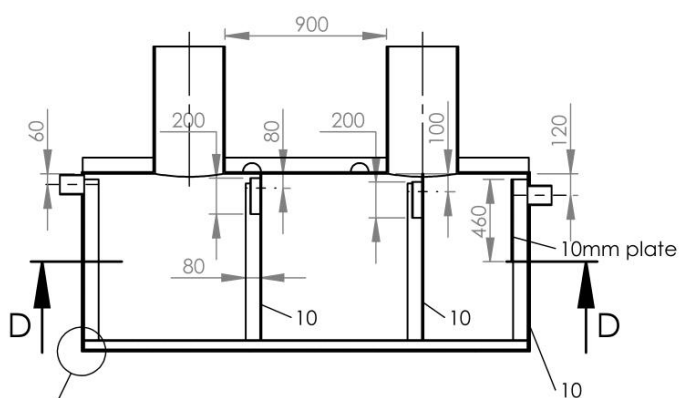
SECTION A-A
SCALE 1 : 40



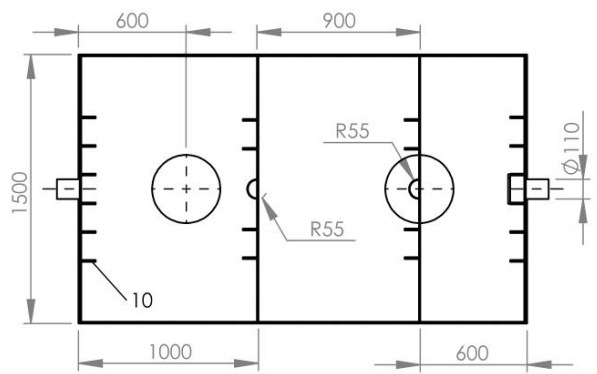
SECTION B-B
SCALE 1 : 40

C

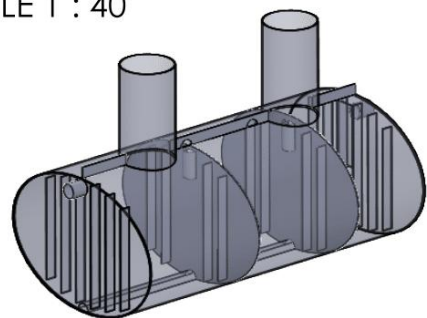
C



SECTION C-C
SCALE 1 : 40



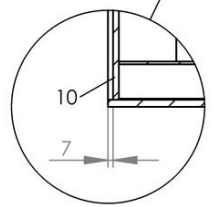
SECTION D-D
SCALE 1 : 40



Septic tank 3,0 m³
Scale 1:50

B

B



DETAIL G
SCALE 1 : 10

A

A

All support ribs are 80x10 mm
Support ribs have 30 mm clearance from wall

Ösel Plastic OÜ		NAME	SURNAME
		MARGUS	REEK
SCALE		SIGN.	
1:40	TITLE	DRAWING NO.	FORMAT
	Ösel SEPTIC 3000	01.001.03	A4
MATERIAL		SHEET 1 OF 1	
HDPE			

6 5 4 3 2 1