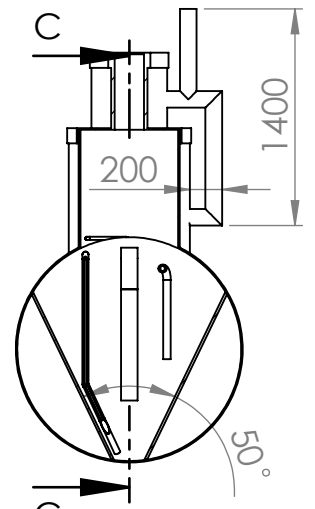
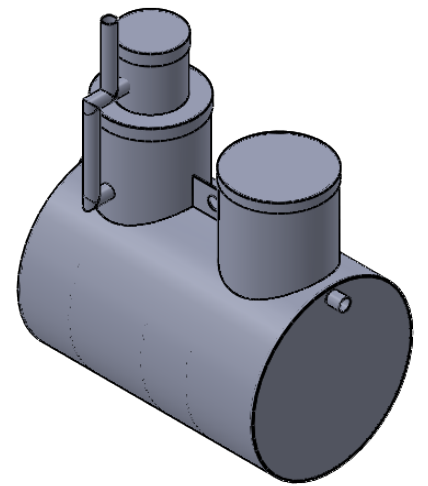


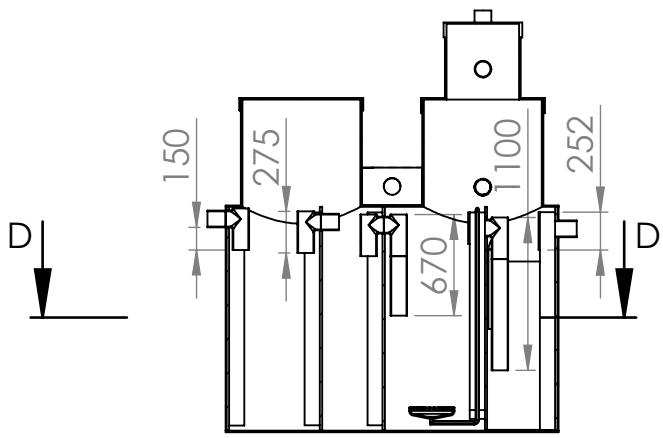
SECTION A-A



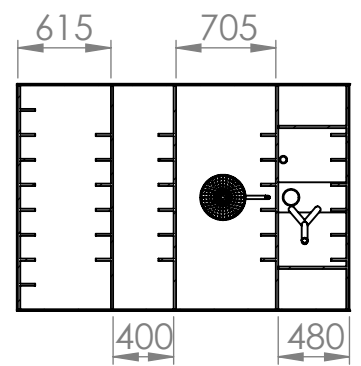
SECTION B-B



BIOPUHASTI
SCALE 1:50



SECTION C-C



SECTION D-D

Ösel Plastic OÜ		NAME	SURNAME
		MARGUS	REEK
SCALE		SIGN.	
1:50	TITLE	DRAWING NO.	FORMAT
	BIOPUHASTI	02.001.01	A4
MATERIAL		SHEET 1 OF 6	
HDPE			

6

5

4

3

2

1

D

D

C

C

B

B

A

A

6

5

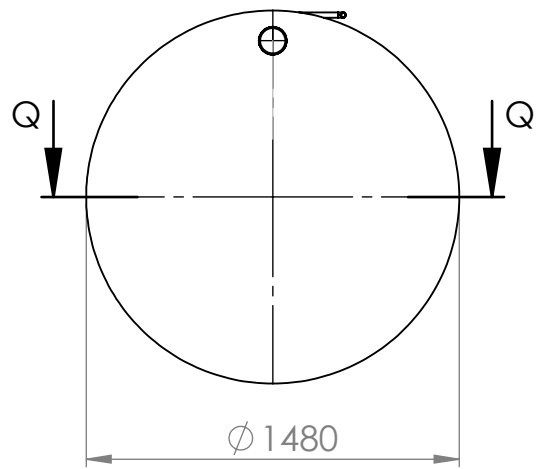
4

3

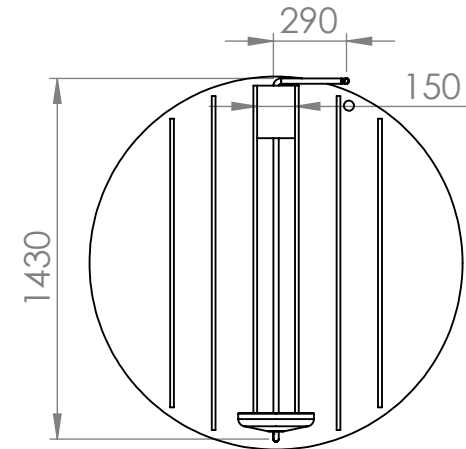
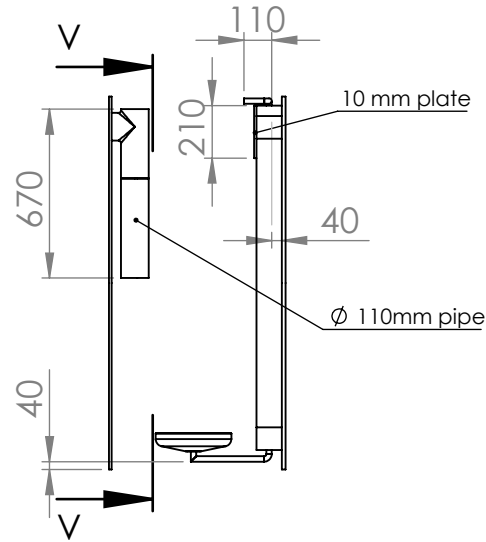
2

1

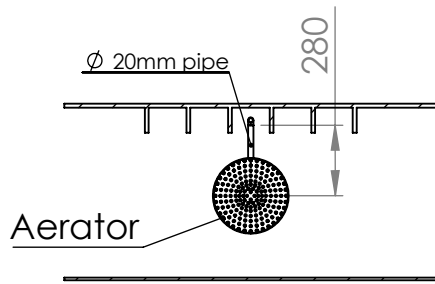
6 5 4 3 2 1



SECTION Q-Q
SCALE 1 : 30

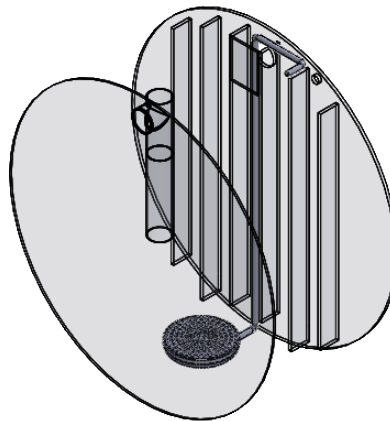


SECTION V-V
SCALE 1 : 30



Aerator

SECTION Q-Q
SCALE 1 : 30



BIOPUHASTI AERATOR
SCALE 1:30

Ösel Plastic OÜ		NAME	SURNAME
		MARGUS	REEK
SCALE		SIGN.	
1:30	TITLE	DRAWING NO.	FORMAT
	BIOPUHASTI AERATOR	02.001.02	A4
MATERIAL		SHEET 2 OF 6	
HDPE 20mm pipe			

6 5 4 3 2 1

D
C
B
A

D
C
B
A

6 5 4 3 2 1

D

D

C

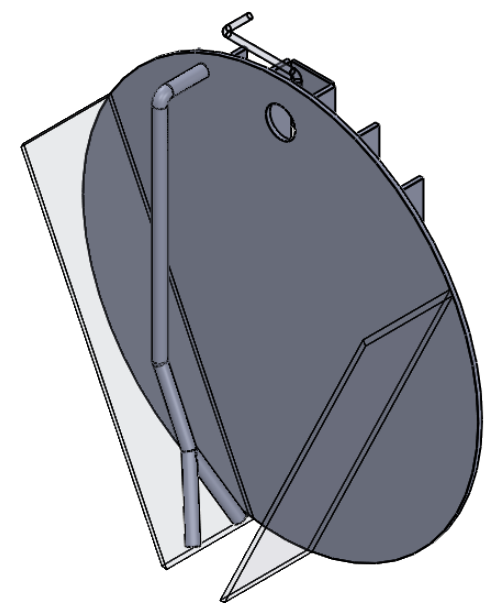
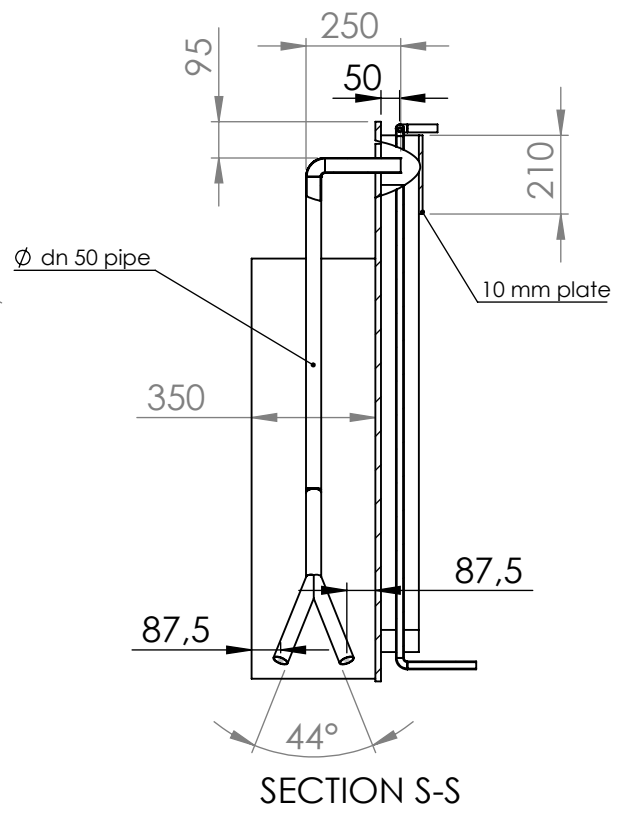
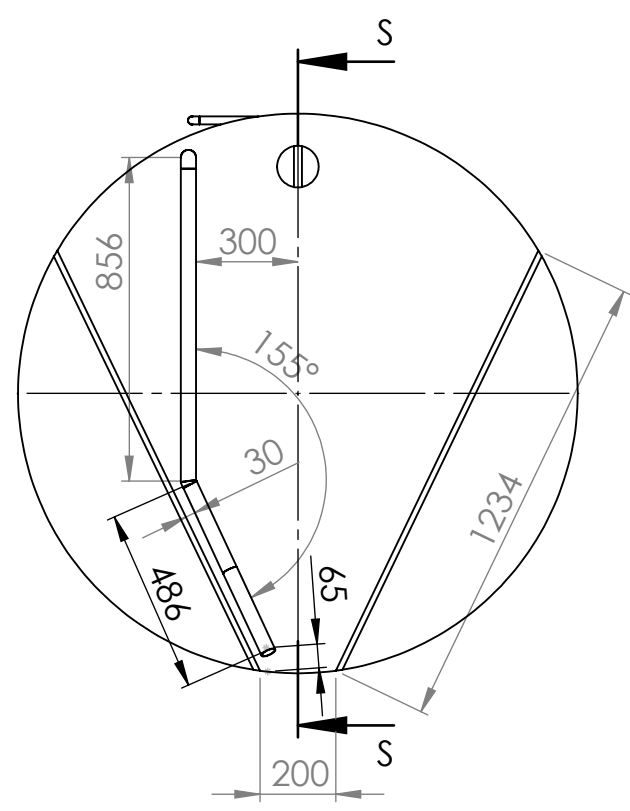
C

B

B

A

A



BIOPUHASTI PIPING
SCALE 1:20

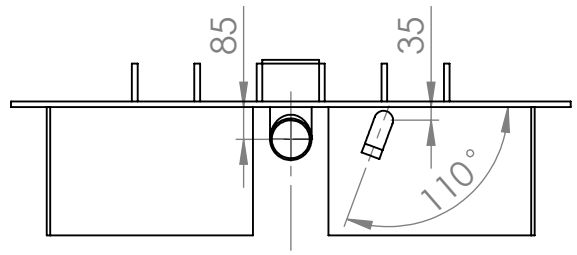
Ösel Plastic OÜ		NAME	SURNAME
		MARGUS	REEK
SCALE		SIGN.	
1:30	TITLE	DRAWING NO.	FORMAT
	BIOPUHASTI PIPING	02.001.03	A4
MATERIAL		SHEET 3 OF 6	
HDPE dn50 pipe			

6 5 4 3 2 1

6 5 4 3 2 1

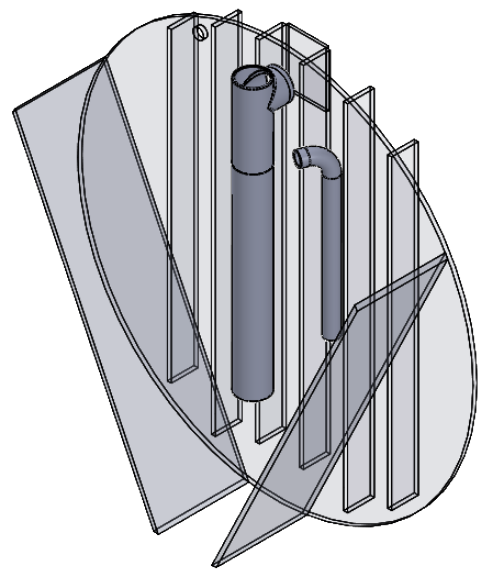
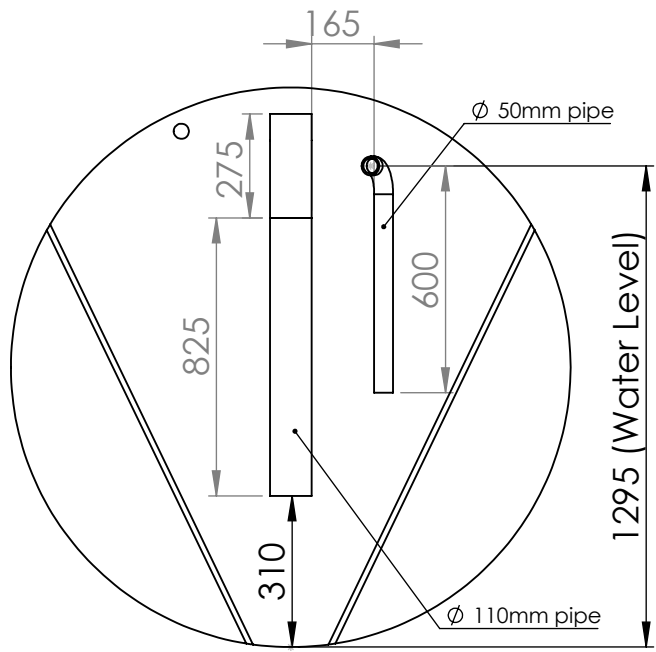
D

D



C

C



BIOPUHASTI SWIRLPIPE
SCALE 1:20

B

B

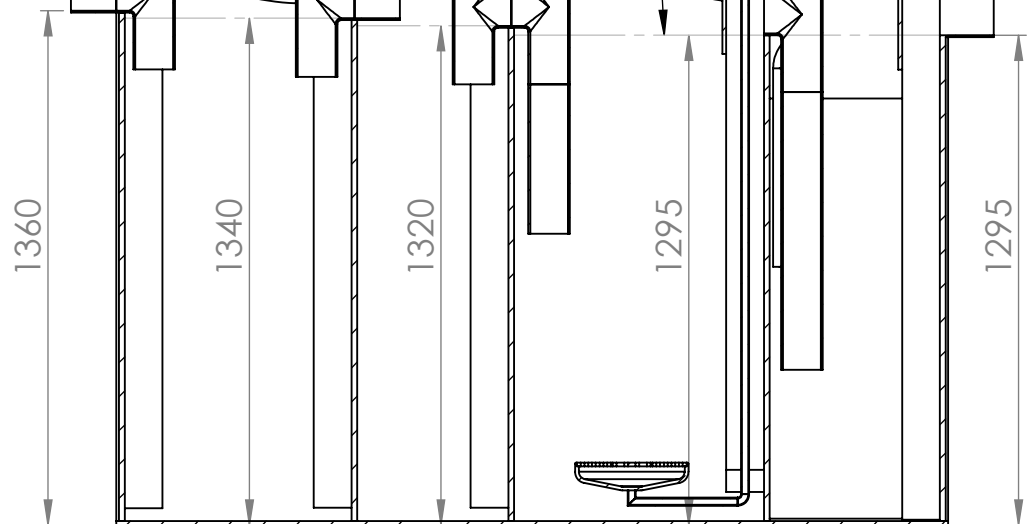
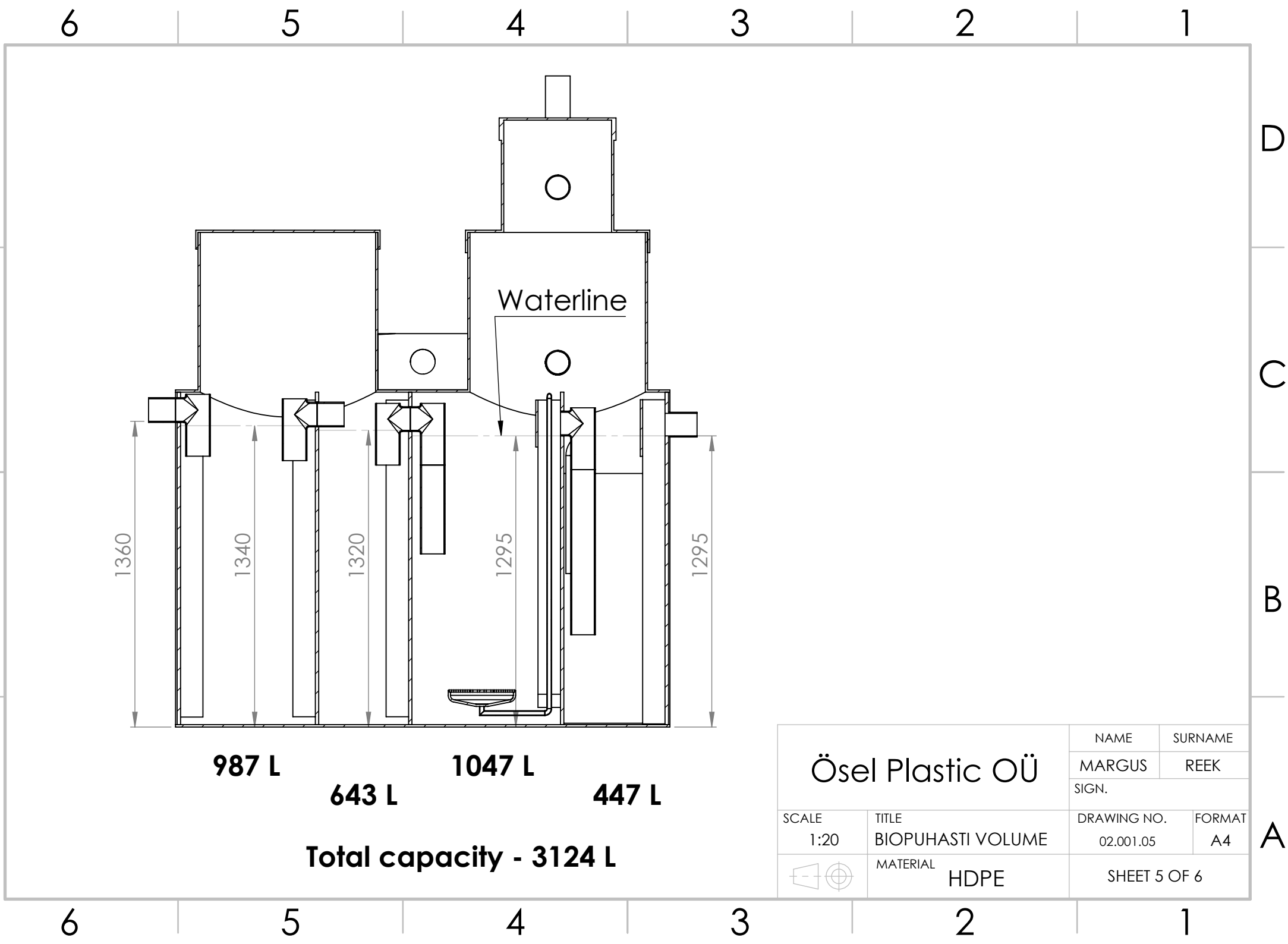
A

A

6 5 4 3 2 1

Ösel Plastic OÜ		NAME	SURNAME
		MARGUS	REEK
SCALE		SIGN.	
1:20	TITLE	DRAWING NO.	FORMAT
	BIOPUHASTI SWIRL PIPE	02.001.04	A4
MATERIAL		SHEET 4 OF 6	
HDPE pipe			





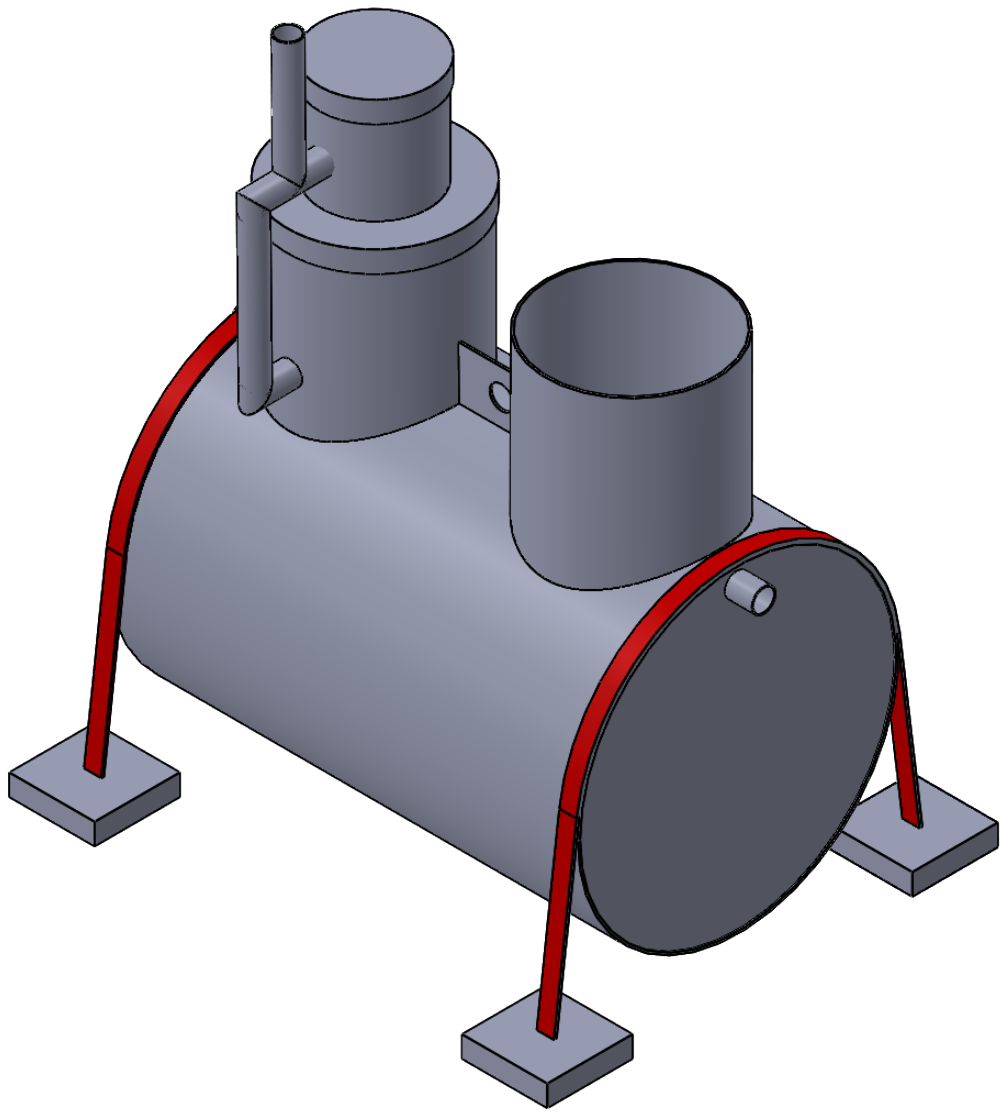
987 L
643 L
1047 L
447 L


Total capacity - 3124 L

Ösel Plastic OÜ		NAME	SURNAME
		MARGUS	REEK
		SIGN.	
SCALE	TITLE	DRAWING NO.	FORMAT
1:20	BIOPUHASTI VOLUME	02.001.05	A4
MATERIAL		SHEET 5 OF 6	
HDPE			



A



<p>Ösel Plastic OÜ</p>		NAME	SURNAME
		MARGUS	REEK
		SIGN.	
SCALE	TITLE	DRAWING NO.	FORMAT
1:20	BIOPUHASTI ANCHOR STRAP	02.001.06	A4
		MATERIAL	SHEET 6 OF 6
		HDPE	

6

5

4

3

2

1

D

D

C

C

B

B

A

A

6

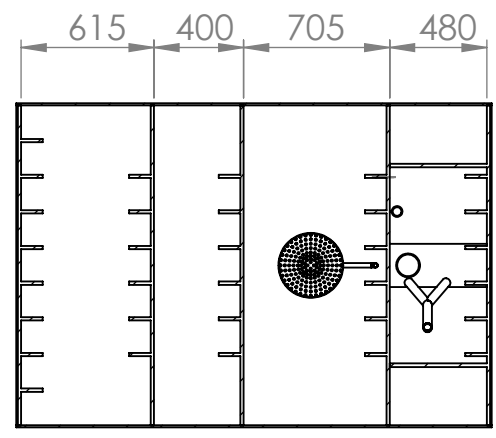
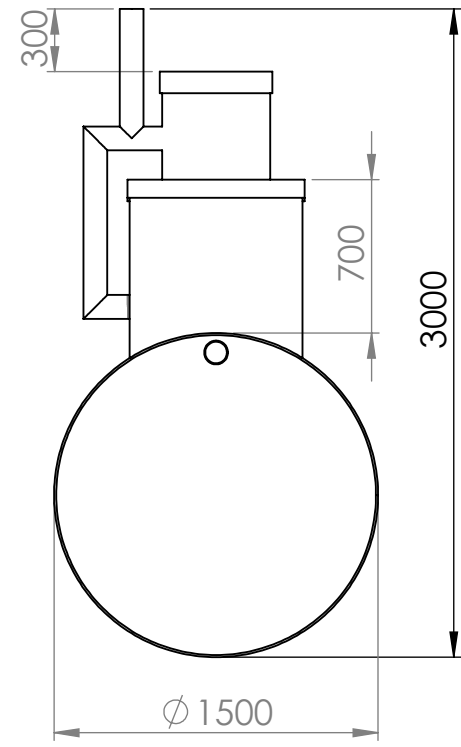
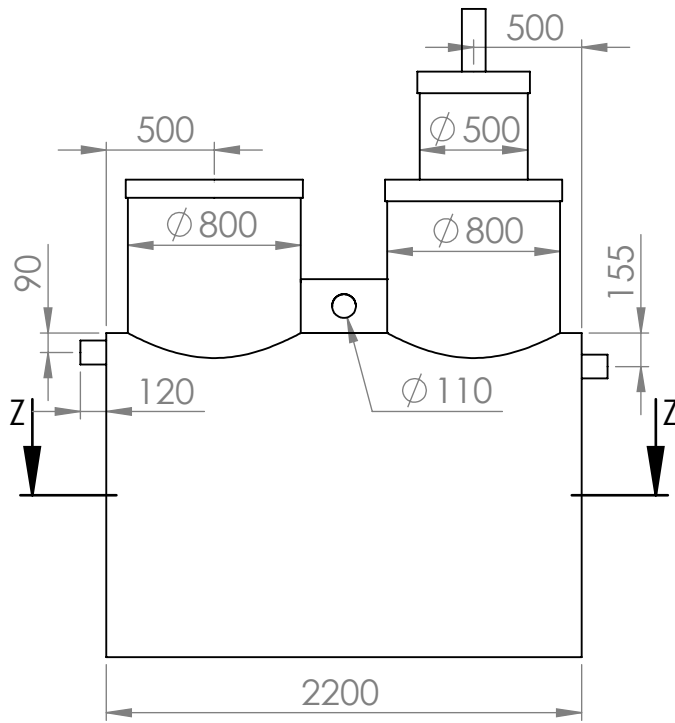
5

4

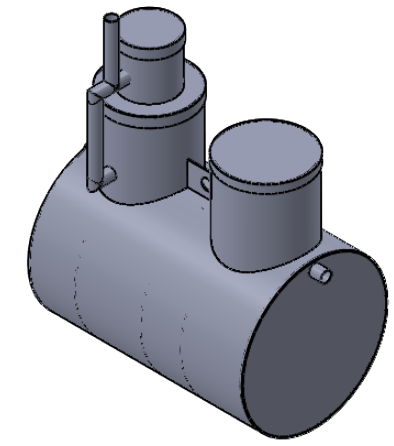
3

2

1

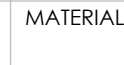


SECTION Z-Z
SCALE 1 : 35



BIOPUHASTI
SCALE 1 : 55

Ösel Plastic OÜ		NAME	SURNAME
		MARGUS	REEK
SCALE		SIGN.	
1:20	TITLE	DRAWING NO.	FORMAT
	BIOPUHASTI	02.001.07	A4
MATERIAL			
HDPE			



MATERIAL

HDPE

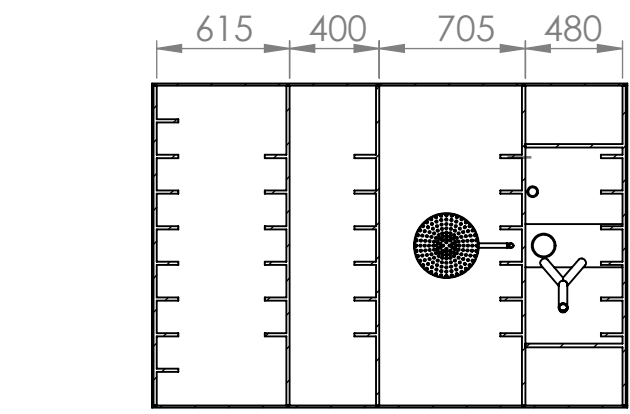
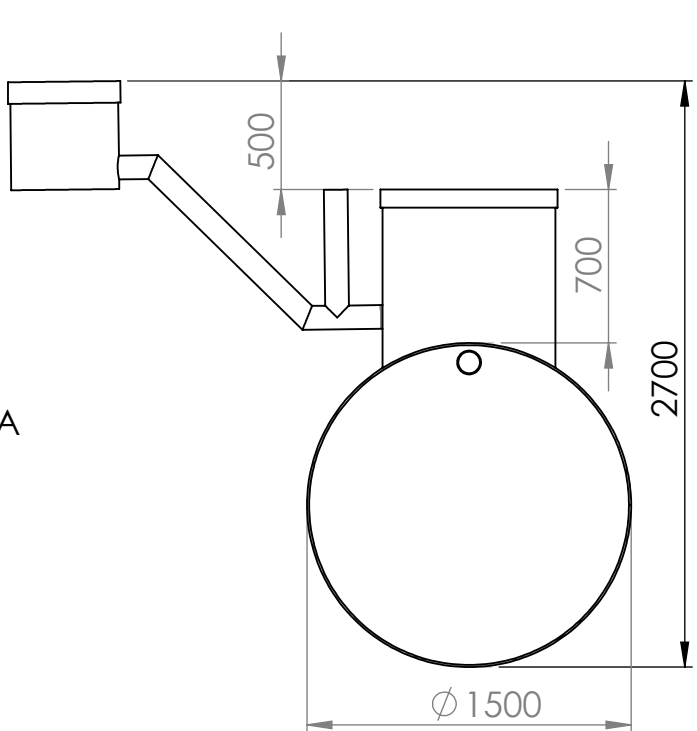
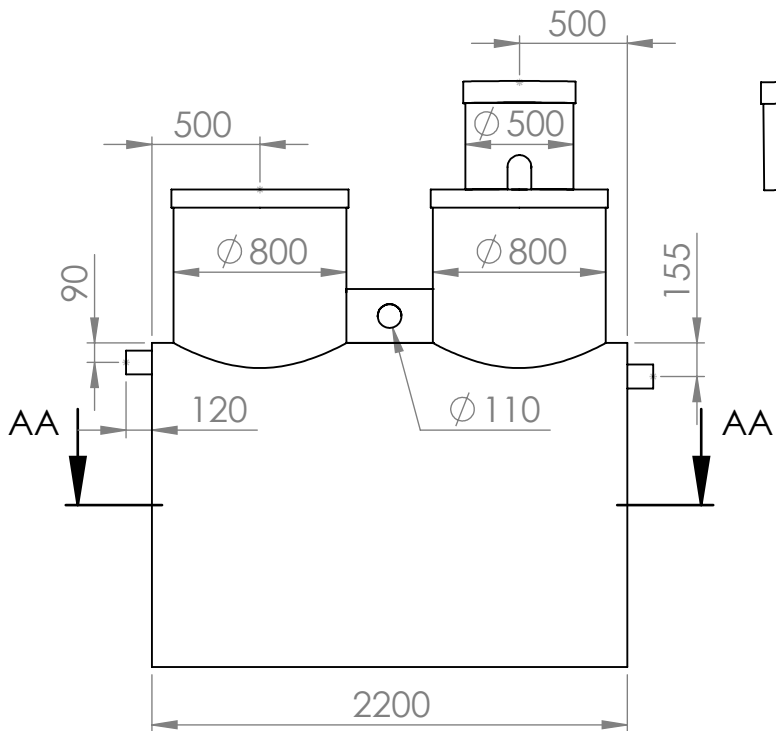
DRAWING NO.

02.001.07

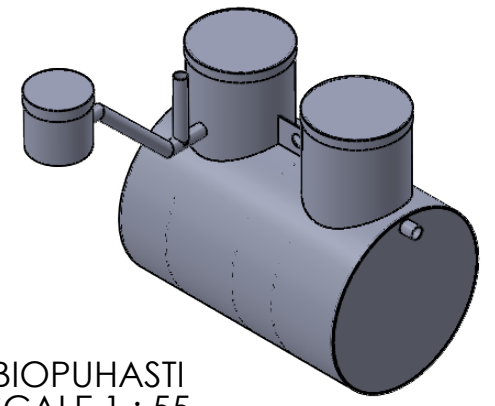
FORMAT

A4

6 5 4 3 2 1



SECTION AA-AA
SCALE 1 : 35



BIOPUHASTI
SCALE 1 : 55

Ösel Plastic OÜ	NAME	SURNAME	
	MARGUS	REEK	
	SIGN.		
SCALE 1:20	TITLE BIOPUHASTI	DRAWING NO. 02.001.08	FORMAT A4
MATERIAL HDPE			

6 5 4 3 2 1

D
C
B
A

D
C
B
A