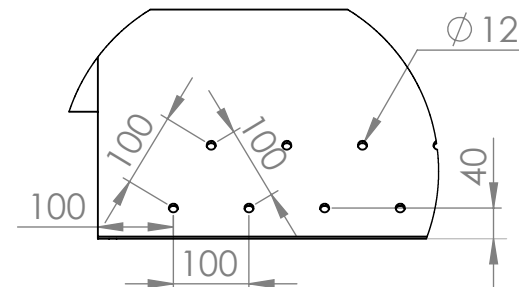
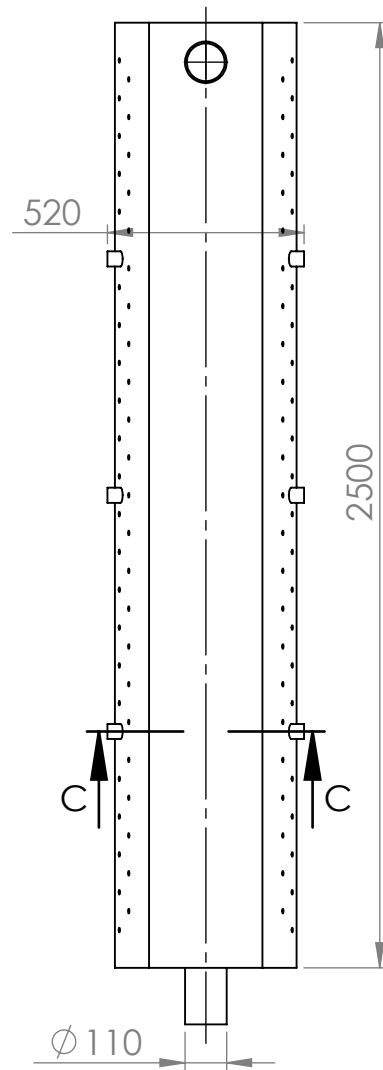
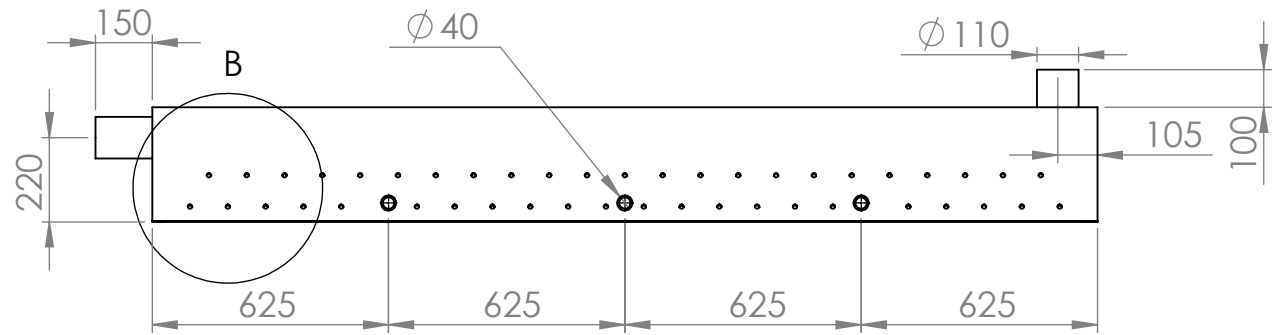
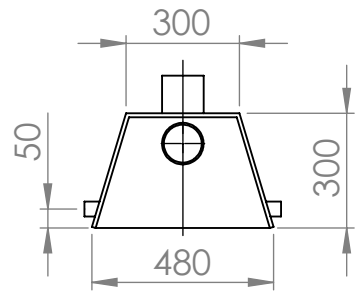
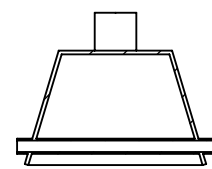


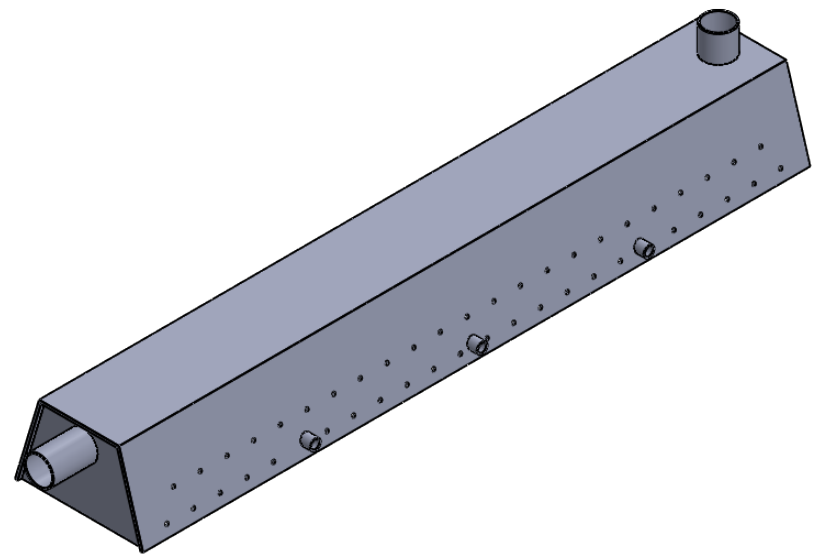
6 5 4 3 2 1



DETAIL B
SCALE 1 : 10



SECTION C-C
SCALE 1 : 20



Ösel Plastic OÜ		NAME	SURNAME
		MARGUS	REEK
SCALE		SIGN.	
1:20	TITLE	DRAWING NO.	FORMAT
	IMBTUNNEL	03.001.01	A4
MATERIAL		SHEET 1 OF 1	
HDPE			

6 5 4 3 2 1

D
C
B
A

D
C
B
A